

# TSUBAKI SEAMLESS LIGHT TYPE H UPDATE

WHITE LEDS /  
MONO COLOR LEDS



## KEY FEATURES AND BENEFITS

- **IP67 Rated flexible LED Strip with Side-Bend**
- **9 color variation**
- **Covered by Patented Silicone Rubber Case**
- **Patented Unique Design Structure**
- **Uniformed brightness with Copper wires**
- **LEDs sealed by Silicone**
- **Installation** : See ACCESSORIES for options on straight and flexible mounting channels.
- **Environment** : Exterior. IP67 rated. Water and dust resistant. Proper drainage required. Product should not reside in standing water. Not for use as a submersible light source.
- **Power and Control** : DMX-512, DALI on/off, and dimming control options. Contact factory for more information.

## ORDERING

PRODUCT No.		LENGTH	
<b>GLD</b>	<b>25K</b>		<b>5064.0</b>
<b>1</b>	<b>2</b>	<b>3</b>	<b>4</b>
PRODUCT	LED COLOR	LEAD WIRES	LENGTH

1	PRODUCT
	<b>GLD</b> Tsubaki Seamless Light Type H
2	LED COLOR
	<b>22K</b> 2200K
	<b>25K</b> 2500K
	<b>28K</b> 2800K
	<b>30K</b> 3000K
	<b>35K</b> 3500K
	<b>40K</b> 4000K
	<b>50K</b> 5000K
	<b>R</b> RED
	<b>B</b> BLUE

3	LEAD WIRES
	- Lead wires at one end. <b>W</b> Lead wires at both ends.
4	LENGTH
	See length ordering guide.

## PRODUCT SPECIFICATIONS

<b>LEDS</b>	105 /m
<b>LED PITCH</b>	9.5 mm
<b>2200K</b>	280 lm/m
<b>2500K</b>	560 lm/m
<b>2800K</b>	570 lm/m
<b>3000K</b>	590 lm/m
<b>3500K</b>	730 lm/m
<b>4000K</b>	750 lm/m
<b>5000K</b>	690 lm/m
<b>RED</b>	210 lm/m
<b>BLUE</b>	110 lm/m
<b>INPUT</b>	24 VDC
<b>WATTS</b>	10 W/m (Red:8W/m)
<b>WIDTH</b>	11 mm
<b>BEAM ANGLE</b>	205°
<b>TRIM POINTS</b>	Every 66.5 mm
<b>Max Unit Connectable</b>	10.1 m (5064 mm + 5064 mm)
<b>Bending Radius</b>	60 mm horizontal
<b>Operating Temperature</b>	-10° to 55°C

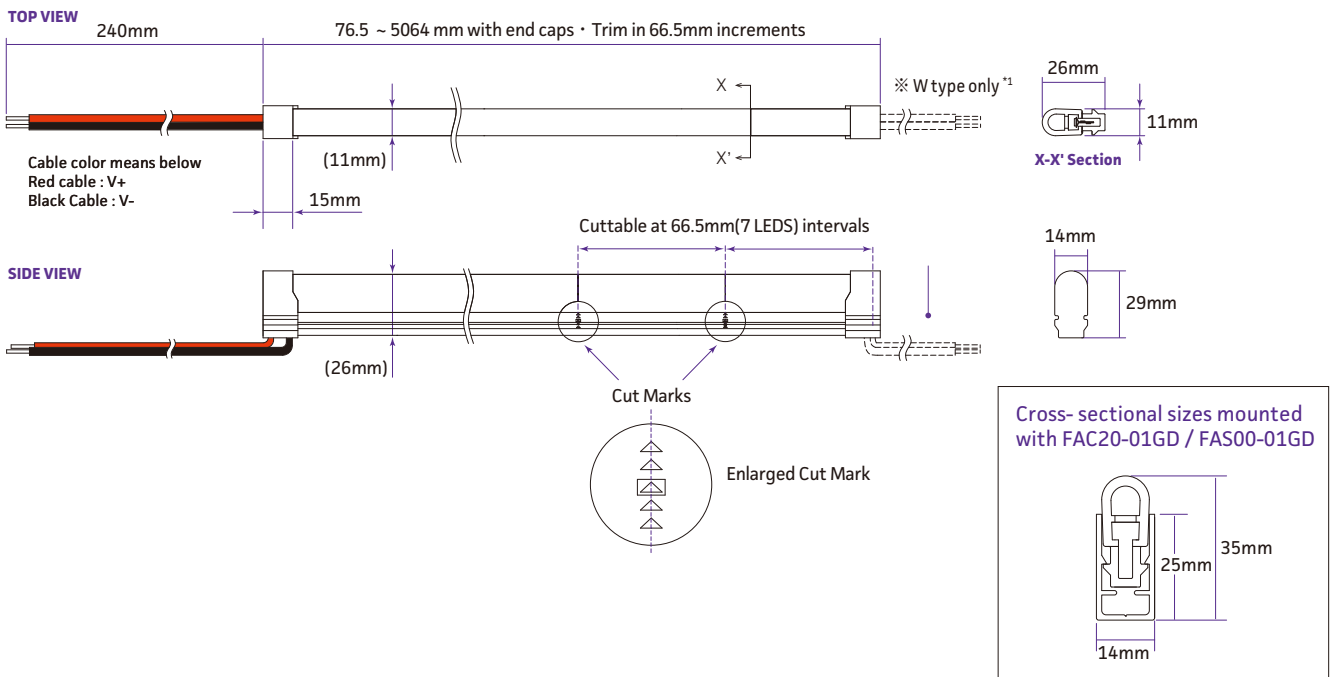
## PRODUCT No.

Standard	"W" Type <sup>1</sup>	LED COLOR
<b>GLD-22K</b>	<b>GLD-22KW</b>	<b>2200K</b>
<b>GLD-25K</b>	<b>GLD-25KW</b>	<b>2500K</b>
<b>GLD-28K</b>	<b>GLD-28KW</b>	<b>2800K</b>
<b>GLD-30K</b>	<b>GLD-30KW</b>	<b>3000K</b>
<b>GLD-35K</b>	<b>GLD-35KW</b>	<b>3500K</b>
<b>GLD-40K</b>	<b>GLD-40KW</b>	<b>4000K</b>
<b>GLD-50K</b>	<b>GLD-50KW</b>	<b>5000K</b>
<b>GLD-R</b>	<b>GLD-RW</b>	<b>RED</b>
<b>GLD-B</b>	<b>GLD-BW</b>	<b>BLUE</b>

## LENGTH ORDER CODE GUIDE (LENGTHS INCLUDE END CAPS.)

MM	MM	MM	MM	MM	MM	MM
76.5	808.0	1539.5	2271.0	3002.5	3734.0	4465.5
143.0	874.5	1606.0	2337.5	3069.0	3800.5	4532.0
209.5	941.0	1672.5	2404.0	3135.5	3867.0	4598.5
276.0	1007.5	1739.0	2470.5	3202.0	3933.5	4665.0
342.5	1074.0	1805.5	2537.0	3268.5	4000.0	4731.5
409.0	1140.5	1872.0	2603.5	3335.0	4066.5	4798.0
475.5	1207.0	1938.5	2670.0	3401.5	4133.0	4864.5
542.0	1273.5	2005.0	2736.5	3468.0	4199.5	4931.0
608.5	1340.0	2071.5	2803.0	3534.5	4266.0	4997.5
675.0	1406.5	2138.0	2869.5	3601.0	4332.5	5064.0
741.5	1473.0	2204.5	2936.0	3667.5	4399.0	

## DIMENSIONS



## ACCESSORIES<sup>1</sup>

### ALUMINUM CHANNEL

- FAS00-01GD**  
Rigid channel for straight line installations.  
Weight : 220g  
W x H x L : 14 x 25 x 1000 mm



- FAC20-01GD**  
Flexible channel for installations with curves.  
Weight : 200g  
W x H x L : 14 x 25 x 1000 mm



<sup>1</sup> Select one method for installation. These accessories are not used together. See INSTALLATION.